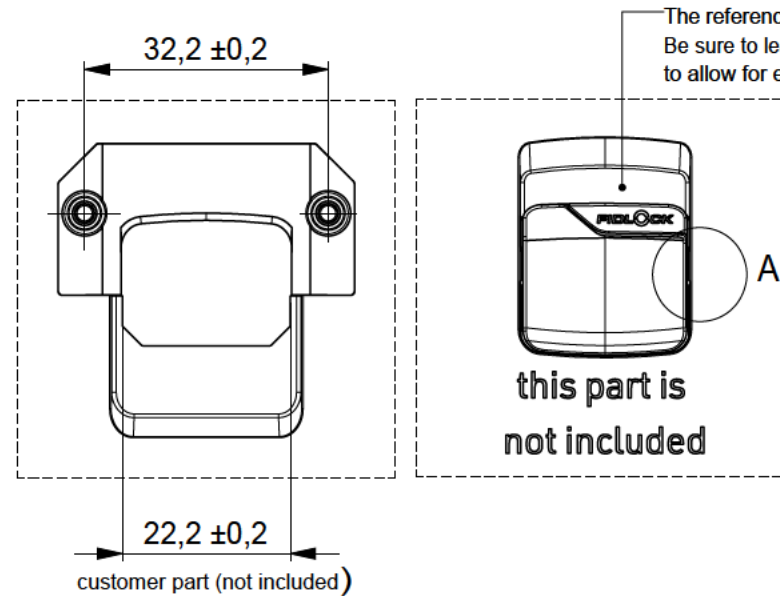
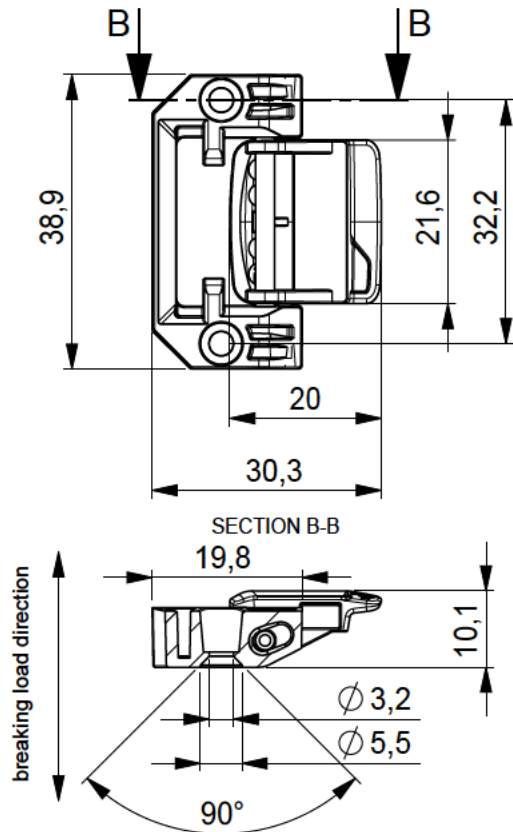


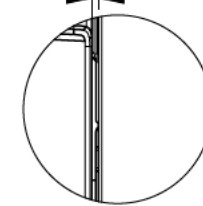
HOOK male S integrated

patented technology

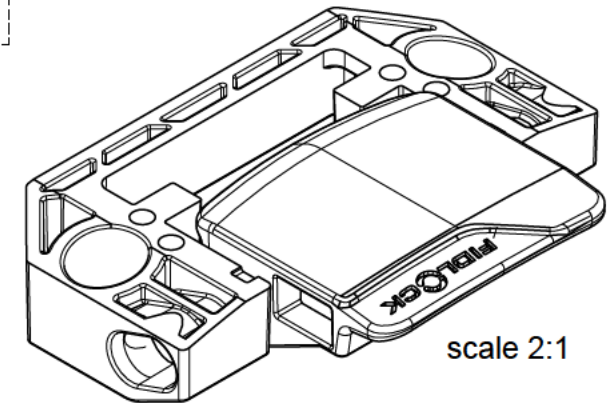
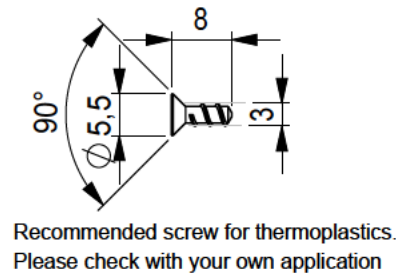


The reference geometry can be adjusted.
Be sure to leave enough space
to allow for easy opening

0,5 (min. distance
recommendation)



DETAIL A
SCALE 2 : 1



nominal values in millimeters [mm]

OPENING	lift
MATERIAL***	PA66GF (55%), stainless steel (19 %), NdFeB (26 %), epoxy
COLOUR	black
WEIGHT	~ 7 g (weighed)
BREAKING LOAD**	325 N

GENERAL NOTES*

mates with HOOK female S
integrated 01920-000002(BLK)

ARTICLE NO.	01910-000001(BLK)
PRODUCT	HOOK male S integrated
SCALE	1:1 DIN A4
REVISION / DATE	R02 20.04.2026

* The manufacturer of the end products in which FIDLOCK fasteners are used, bears the responsibility for thoroughly testing that the FIDLOCK products are suitable for the intended applications.

** According to test specification QM-TP-001

*** The nominal mass fractions percentage of the materials are given as rounded whole numbers. Fractions below 0.5% are not given.

Subject to change without notice, errors excepted