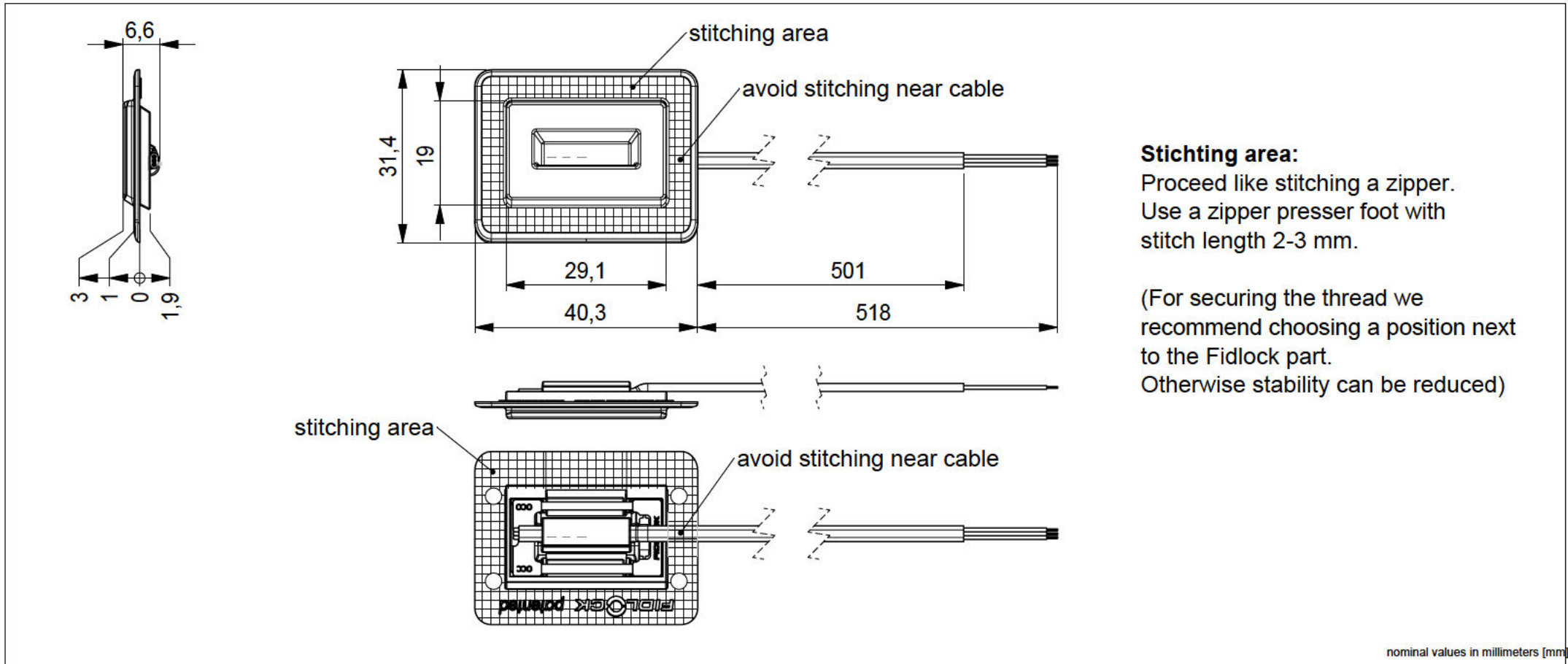


**STRIPE X1 underlay electrified CO/CC**

patented technology



<b>OPENING</b>	lift
<b>MATERIAL</b>	cable(39%), NdFeB(32%), PA6(26%), epoxy(2%), electr. components(1%)
<b>COLOUR</b>	black
<b>WEIGHT</b>	~ 9,8 g (weighed)
<b>BREAKING LOAD**</b>	dependent on application

**GENERAL NOTES\***

<b>ARTICLE NO.</b>	01325/01326-000002(BLK)
<b>PRODUCT</b>	Stripe X1 underlay elec.
<b>SCALE</b>	1:1 DIN A4
<b>REVISION / DATE</b>	R00 21.05.25

\* The manufacturer of the end products in which FIDLOCK fasteners are used, bears the responsibility for thoroughly testing that the FIDLOCK products are suitable for the intended applications.

\*\* According to test specification QM-TP-001

\*\*\* The nominal mass fractions percentage of the materials are given as rounded whole numbers. Fractions below 0.5% are not given.