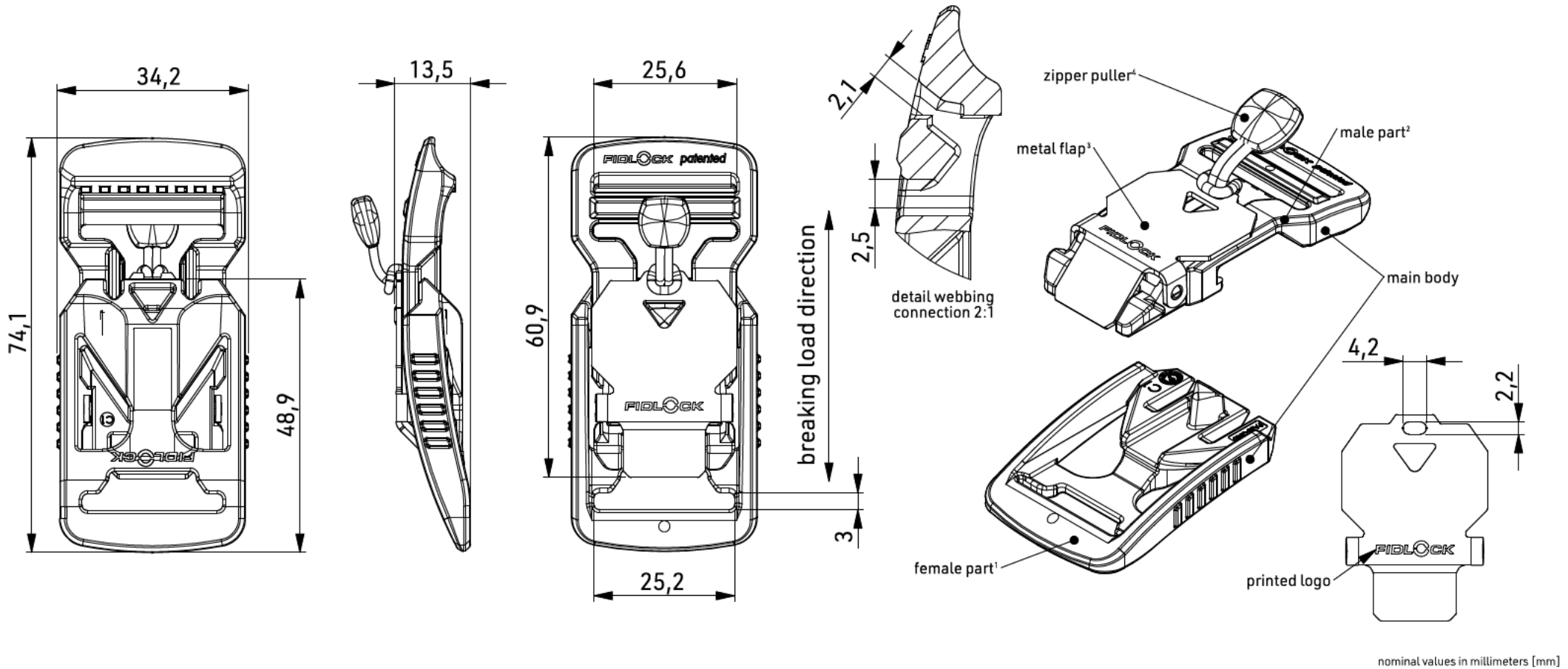


DATASHEET

V-BUCKLE 25 RC



nominal values in millimeters [mm]

OPENING	lift
MATERIAL	PA6 GF ^{1,2} (56%), stainless steel ² (25%), nylon fabric ⁴ , NdFeB ^{1,2} (17%), epoxy ^{1,2} (1%), TPU ⁴ (1%)
COLOUR	main body: black (BLK), blue (5415)
WEIGHT	~ 24 g
BREAKING LOAD**	612 N

GENERAL NOTES*

Recycled material:
Not suitable for safety-relevant applications

Coloured options:
Colour may vary, due to raw material.
Minor dark particals may appear, due to raw material.

FV-11401-000012 (BLK)R:
colour: black, flap: black
FV-11601-000002 (5415)R:
colour: blue, flap: sandblasted

ARTICLE NO.

FV-11401-000012 (BLK)R,
FV-11601-000002 (5415)R

PRODUCT

V-BUCKLE 25, female single bar,
male ladderlock + zipper puller

SCALE

1:1 DIN A4

REVISION / DATE

R05 21.04.2026

* The manufacturer of the end products in which FIDLOCK fasteners are used, bears the responsibility for thoroughly testing that the FIDLOCK products are suitable for the intended applications.

** According to test specification QM-TP-001

*** The nominal mass fractions percentage of the materials are given as rounded whole numbers. Fractions below 0.5% are not given.