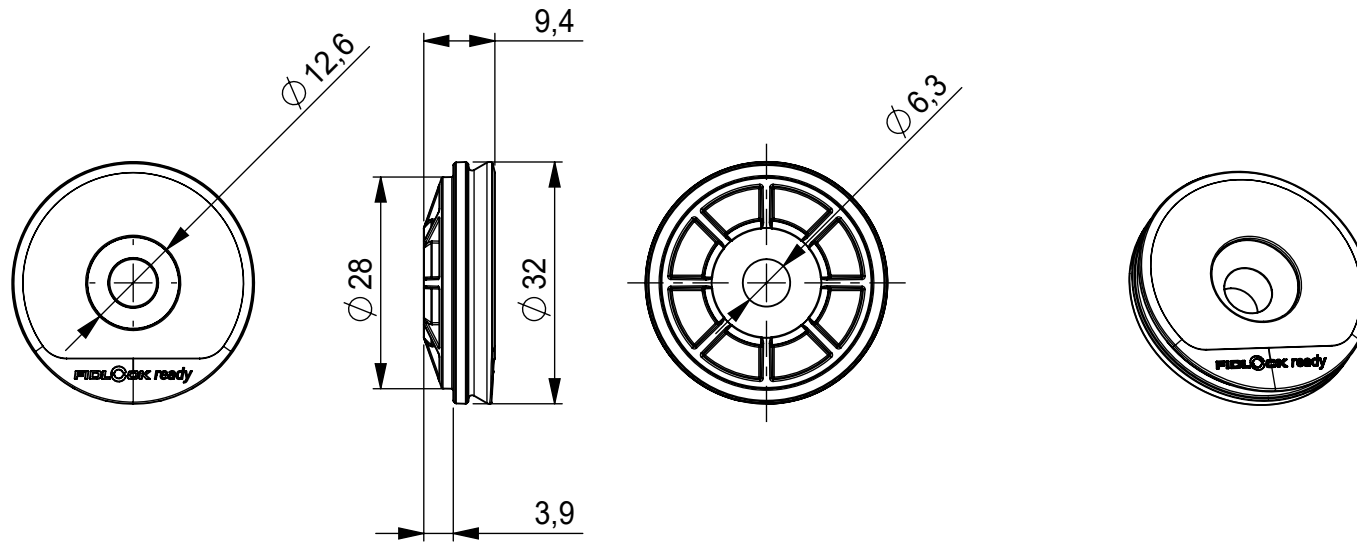


VACUUM ahead cap PA

patented technology



nominal values in millimeters [mm]

OPENING	
MATERIAL	PA66 + GF30
COLOUR	black
WEIGHT	~ 5,4 g (weighed)
MAX TORQUE:	4 Nm

GENERAL NOTES*

- for standard 1 1/8 " headset

- to be used with screw:
DIN 7991/ ISO 10642 M6

ARTICLE NO.	VP-0002B-00002(BLK)
PRODUCT	VACUUM ahead cap PA
SCALE	1:1 DIN A4
REVISION / DATE	R00 17.08.23

* The manufacturer of the end products in which FIDLOCK fasteners are used, bears the responsibility for thoroughly testing that the FIDLOCK products are suitable for the intended applications.