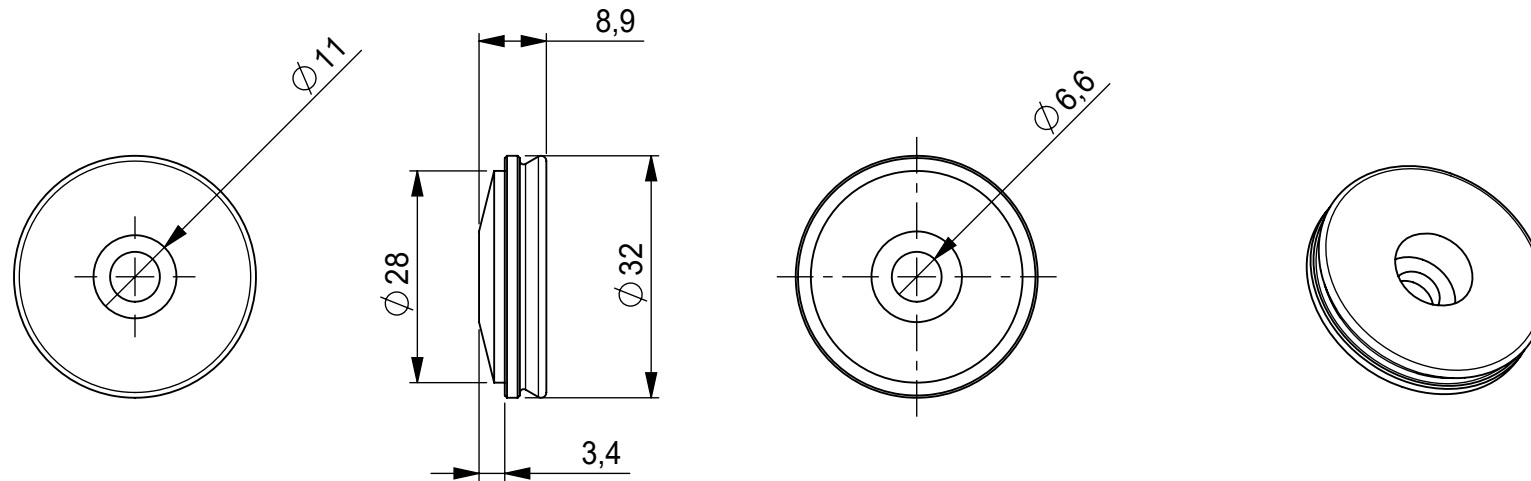


VACUUM ahead cap alu

patented technology



nominal values in millimeters [mm]

OPENING	
MATERIAL	aluminum
COLOUR	black
WEIGHT	~ 13g (weighed)
BREAKING LOAD**	i.O.n

GENERAL NOTES*	- for standard 1 1/8" headset - to be used with screw: DIN912/ISO4762 M6 -length defined by customer (standard 30mm)
-----------------------	--

ARTICLE NO.	VP-0003B-00002(ALB)
PRODUCT	VACUUM aheadcap OEM alu
SCALE	1:1 DIN A4
REVISION / DATE	R00 14.08.24

* The manufacturer of the end products in which FIDLOCK fasteners are used, bears the responsibility for thoroughly testing that the FIDLOCK products are suitable for the intended applications.

** According to test specification QM-TP-001