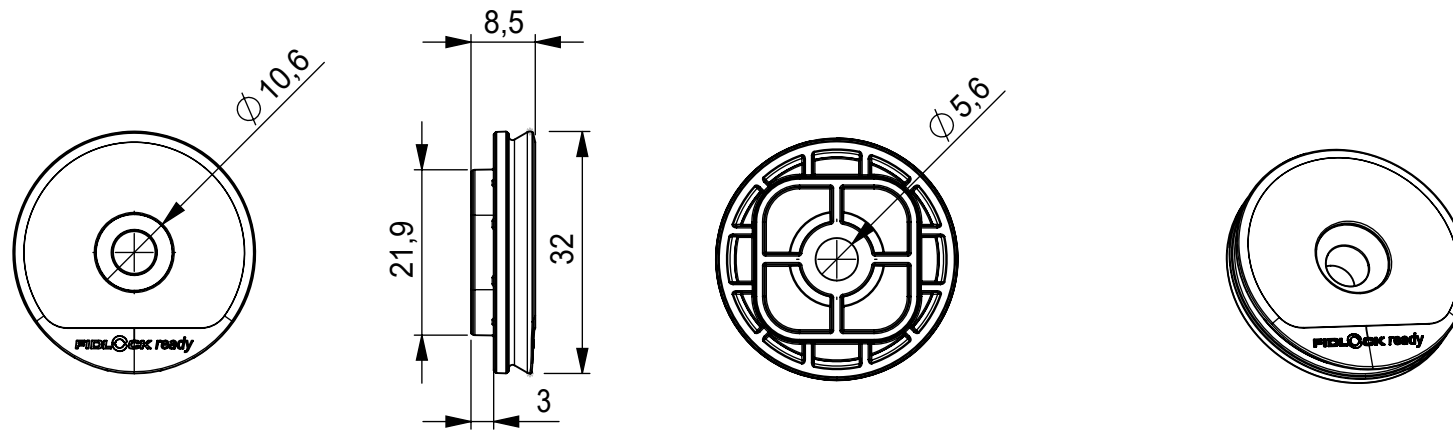


VACUUM ahead cap satori adapter

patented technology



nominal values in millimeters [mm]

OPENING	
MATERIAL	PA66GF
COLOUR	black
WEIGHT	~ 4.12 g (weighed)
MAX TORQUE:	3 Nm

GENERAL NOTES*

VACUUM base and case are not included in the scope of delivery.

screw is not included
 required screw: DIN7991/ISO10642
 M5 length defined by costumer
 (standard 13 mm)

ARTICLE NO.

VP-0004B-00002(BLK)

PRODUCT

VACUUM ahead cap satori adapter

SCALE

1:1 DIN A4

REVISION / DATE

R00 12.08.24

* The manufacturer of the end products in which FIDLOCK fasteners are used, bears the responsibility for thoroughly testing that the FIDLOCK products are suitable for the intended applications.

** According to test specification QM-TP-001