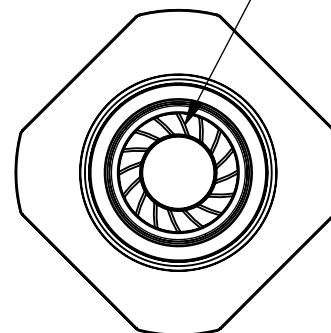
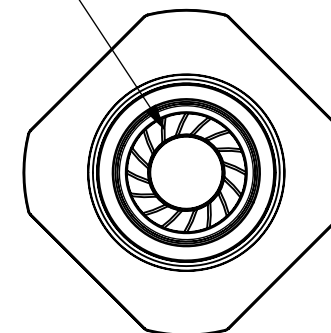


this article does not include a handle / female part compatible to all Winch handles / females

Snap teeth rotation left



Snap teeth rotation right



If the snap teeth rotation is left the winch handle rotate to the right side

PRODUCT	Winch clip-in sewable base
APPLICATION	sewable
OPENING	
MATERIAL	PA6,NdFeB,Epoxy
COLOUR	black
COLORABLE	only black
WEIGHT	~4,3 g
LOAD CAPACITY	kg
GENERAL NOTES	delivered unassembled, tool required for assembly TOOL30-L/R

ARTICLE NO.	01540-BLS002(BLK)*	01540-BRS002(BLK)**
ROTATION	left	right
SCALE	1:1	1:1
DATE	03.11.2022	16.08.2022
AUTHOR	CP	CP

*Component included in following sets: F1550-L00002(BLK), F1560-L00012(BLK), F1540-L00002(BLK)

**Component included in following sets: F1550-R00002(BLK), F1560-R00012(BLK), F1540-R00002(BLK)