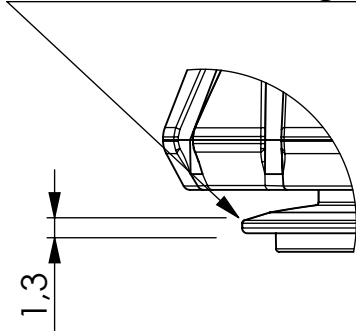


Fabric or Leather should not exceed the height!



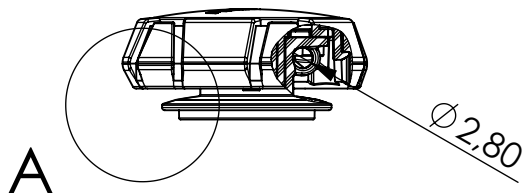
FIDLOCK®

pull test direction →



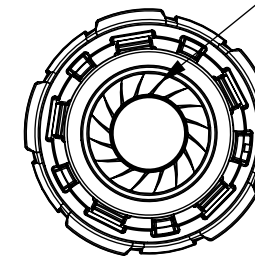
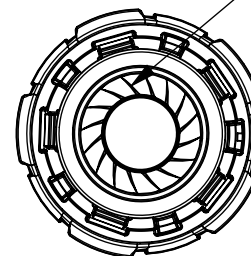
DETAIL A

Scale 2 : 1



Snap teeth rotating left

Snap teeth rotating right



product	WINCH Momentum handle
opening	Pull
material	PA6, PA66GF15, ABS, NbFeB, Epoxy
colour	black
lace/string diameter	1,2 - 2,75 mm
lace/string max. capacity	500 mm
lace/string attachment	overhand knot, figure eight knot
weight	6,7 g
load capacity	200 N
washability	max. 60 °C
general notes	delivery without Lace/String, String braided, polyester fibers, nylon;

Article No	F1500-HL0012(BLK)*	F1500-HR0012(BLK)**
Rotation	left	right
Scale	1:1	1:1
Date	15.08.2022	15.08.2022
Author	CP	CP

*Component included in following sets: F1560-L00012(BLK), F1500-L00012(BLK)

**Component included in following sets: F1560-R00012(BLK), F1500-R00012(BLK)

patented technology.